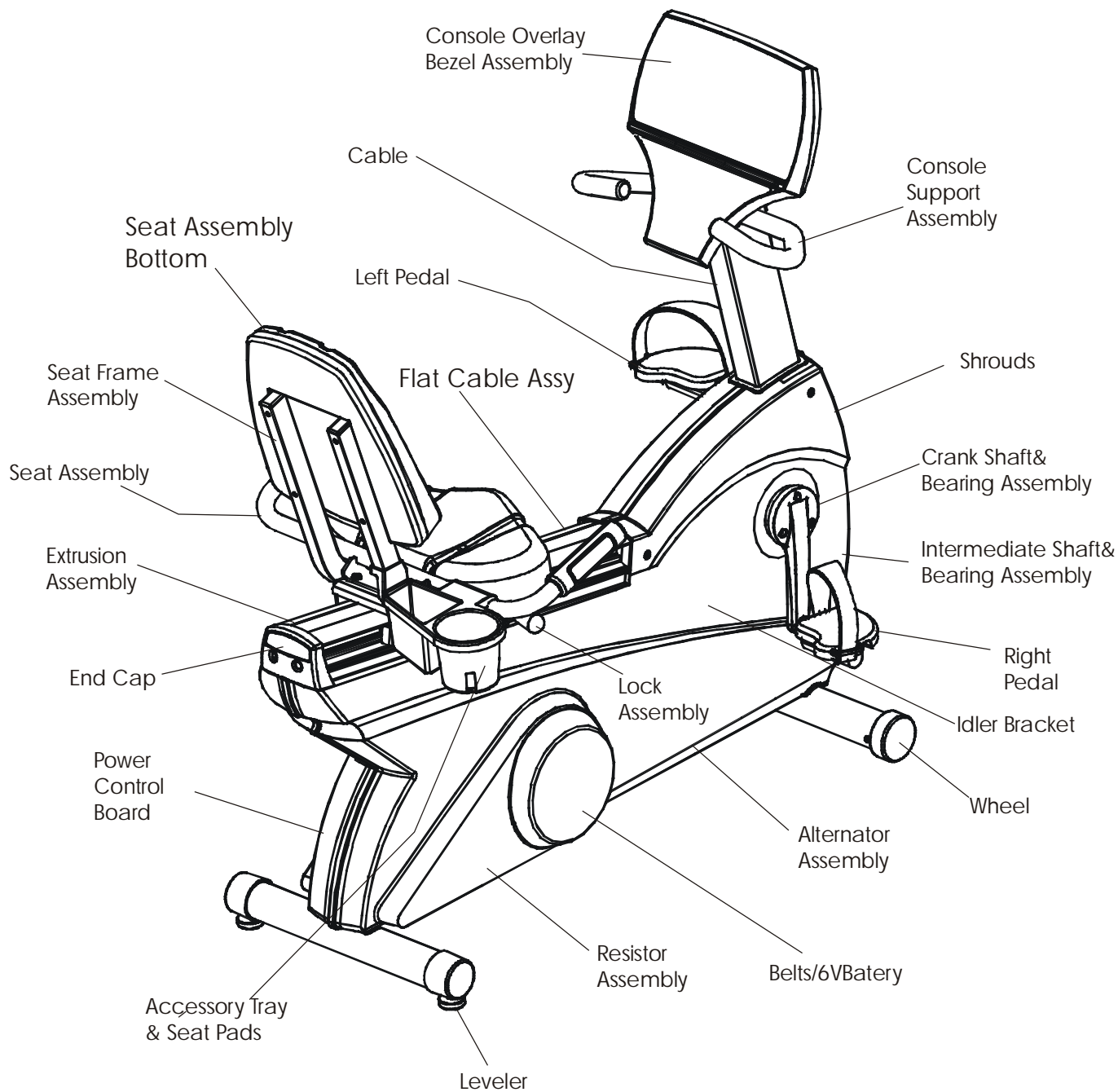


# LifeCycle Recumbent Bike - Model LC R9-0000-02 S/N CEI100001

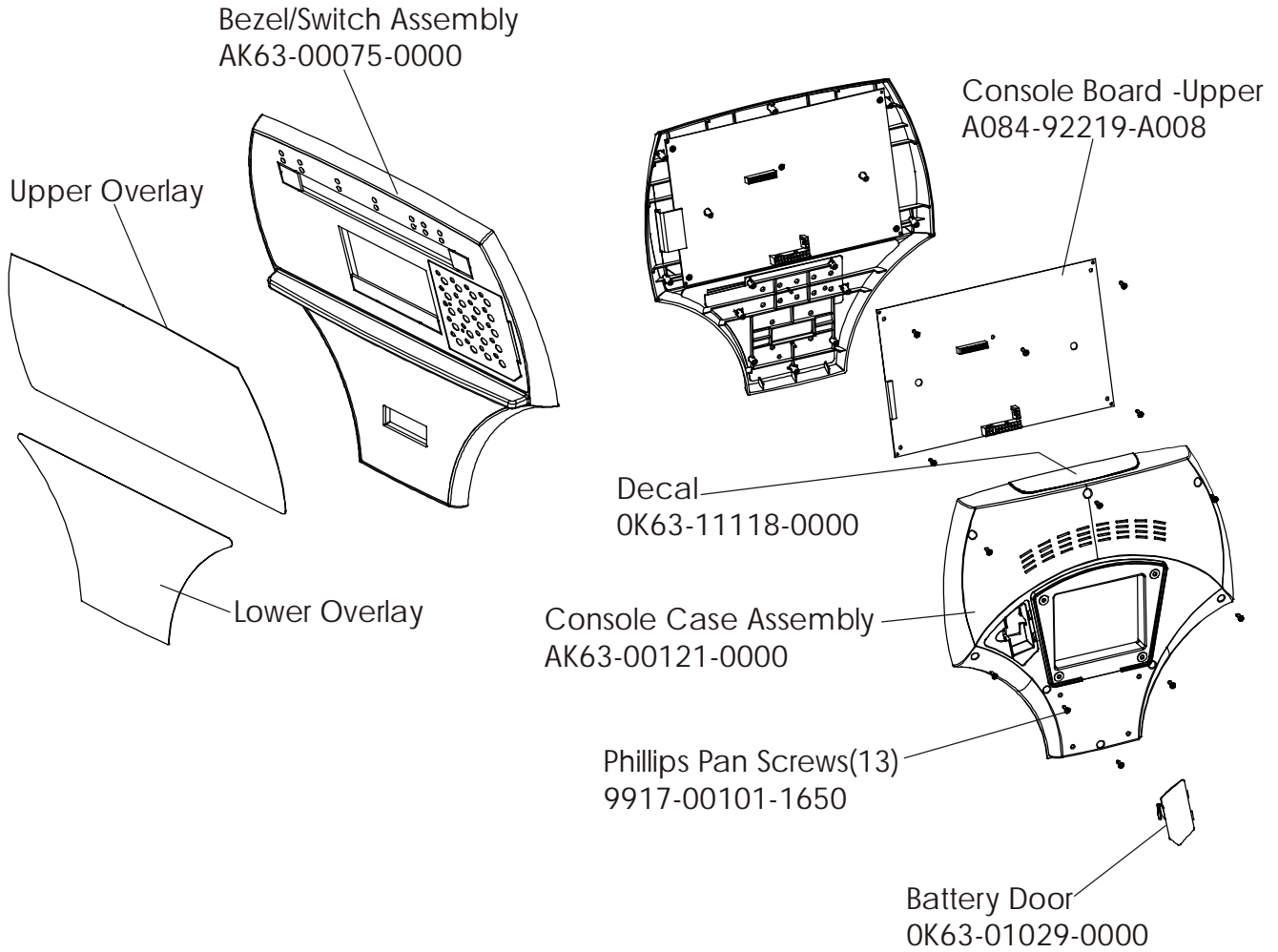
## Unit Assembly



Operation Manual	M051-00K20-A347
Service Manual	M051-00K39-A012

# LifeCycle Recumbent Bike - Model LC R9-0000-02 S/N CEI100001

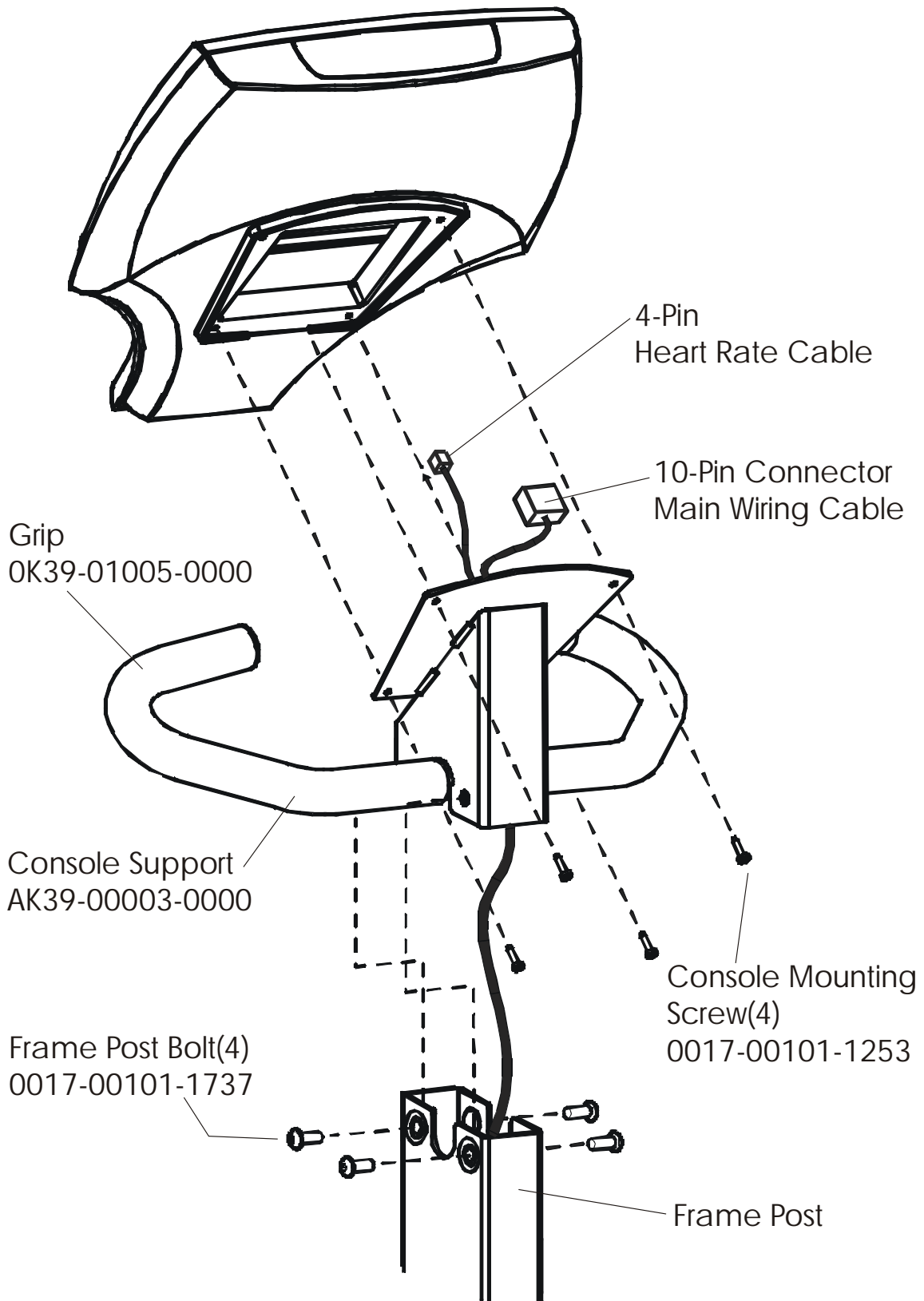
## Console Overlay Bezel Assembly



LC8500 Recumbent			
Console Assembly	Overlay Bezel	Upper Overlay	Lower Overlay
AK39-00062-0001 Eng Met	AK39-00081-0001 Eng Met	OK63-01168-0001 Eng Met	OK63-01082-0001 Eng Met
AK39-00062-0003 Ger Met	AK39-00081-0003 Ger Met	OK63-01168-0003 Ger Met	OK63-01082-0003 Ger Met
AK39-00062-0004 Spn Met	AK39-00081-0004 Spn Met	OK63-01168-0004 Spn Met	OK63-01082-0004 Spn Met
AK39-00062-0006 Jap Met	AK39-00081-0006 Jap Met	OK63-01168-0006 Jap Met	OK63-01082-0006 Jap Met
AK39-00062-0007 Frn Met	AK39-00081-0007 Frn Met	OK63-01168-0007 Frn Met	OK63-01082-0007 Frn Met
AK39-00062-0008 Itl Met	AK39-00081-0008 Itl Met	OK63-01168-0008 Itl Met	OK63-01082-0008 Itl Met
AK39-00062-0009 Itl Met	AK39-00081-0009 Itl Met	OK63-01168-0009 Itl Met	OK63-01082-0009 Itl Met
AK39-00062-0010 Por Met	AK39-00081-0010 Por Met	OK63-01168-0010 Por Met	OK63-01082-0010 Por Met

**Console Support Assembly**

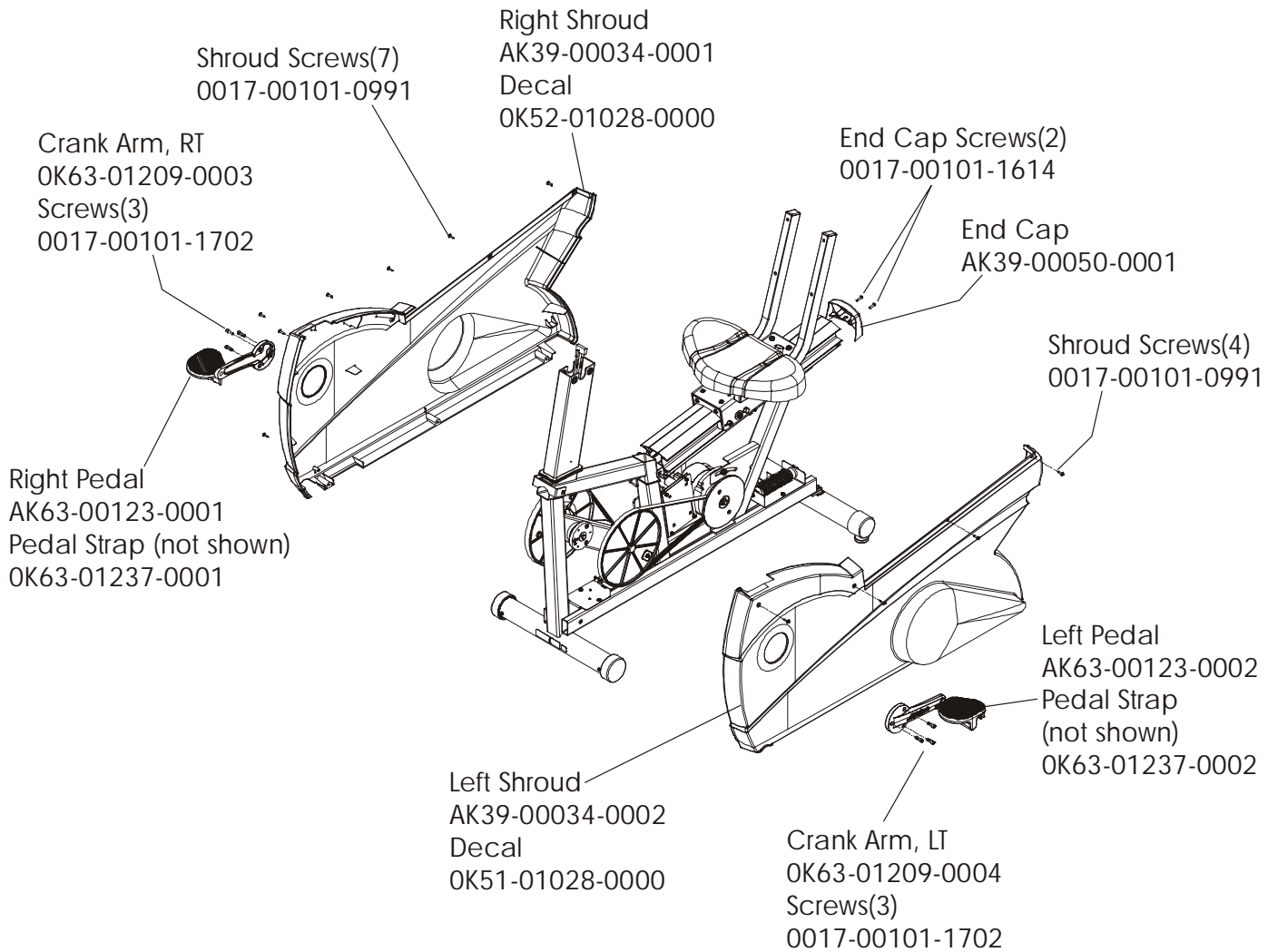
---



# LifeCycle Recumbent Bike - Model LC R9-0000-02 S/N CEI100001

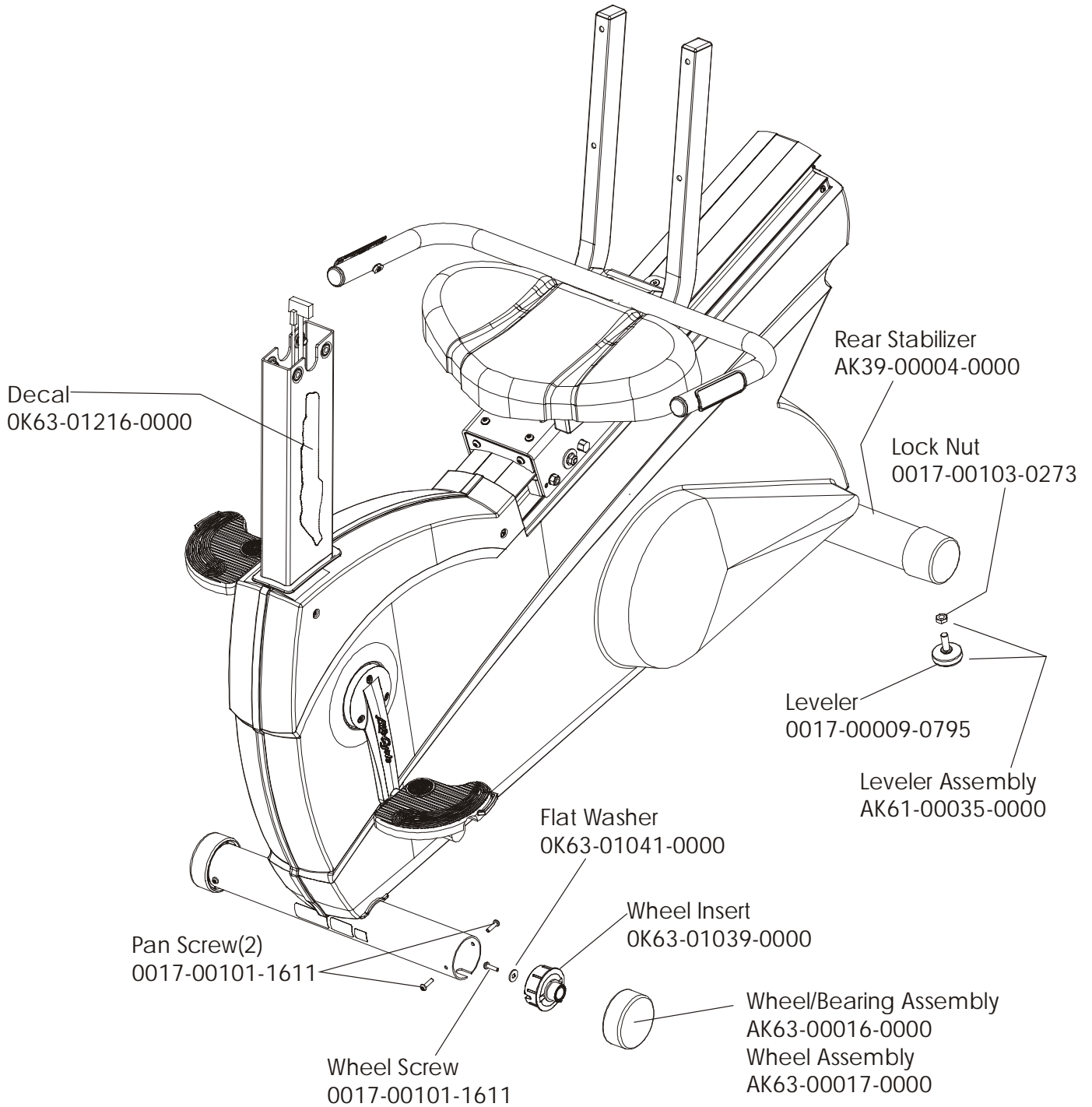
## Shrouds, End Cap, and Pedals

---



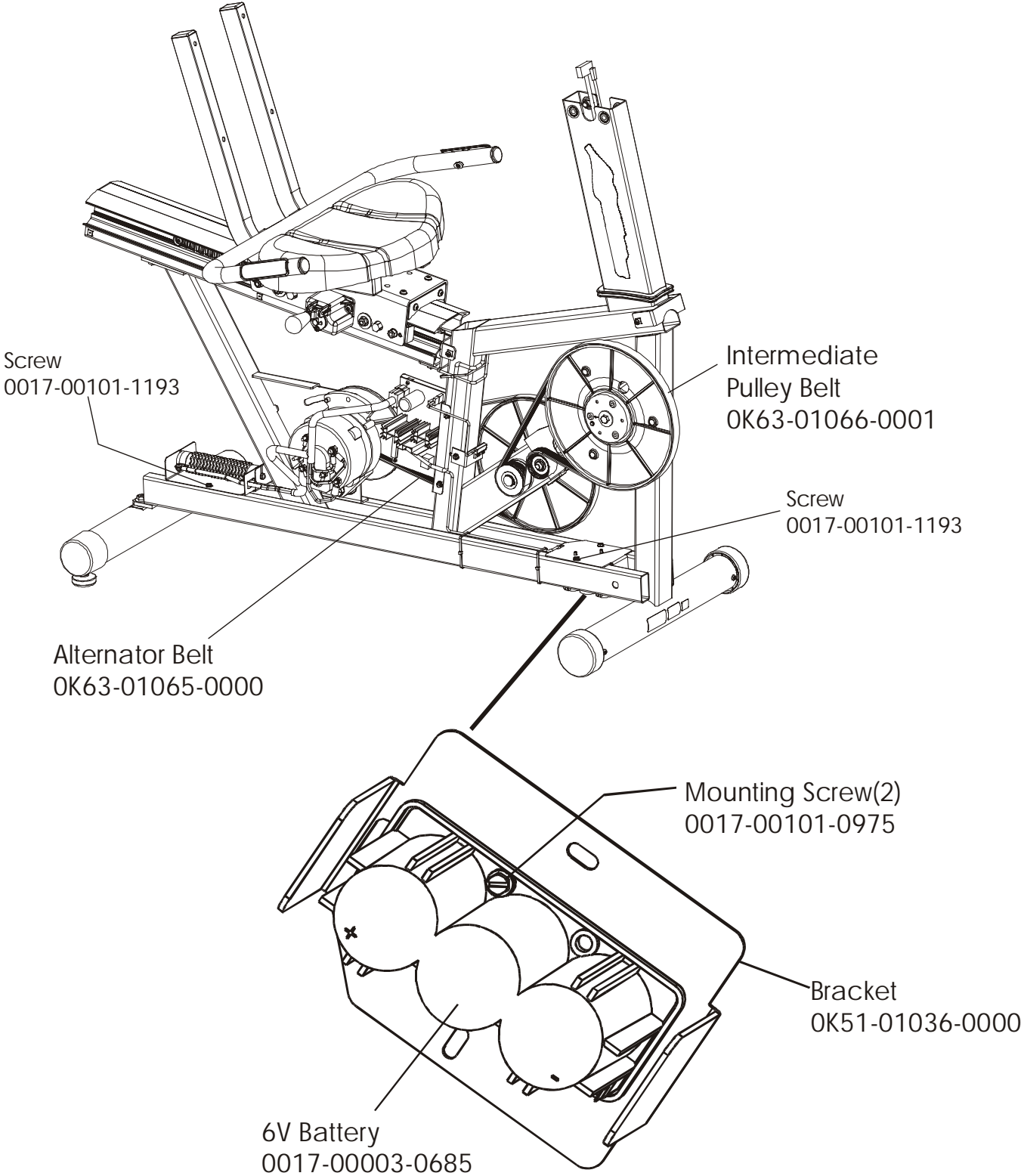
# LifeCycle Recumbent Bike - Model LC R9-0000-02 S/N CEI100001

## Wheel and Leveler



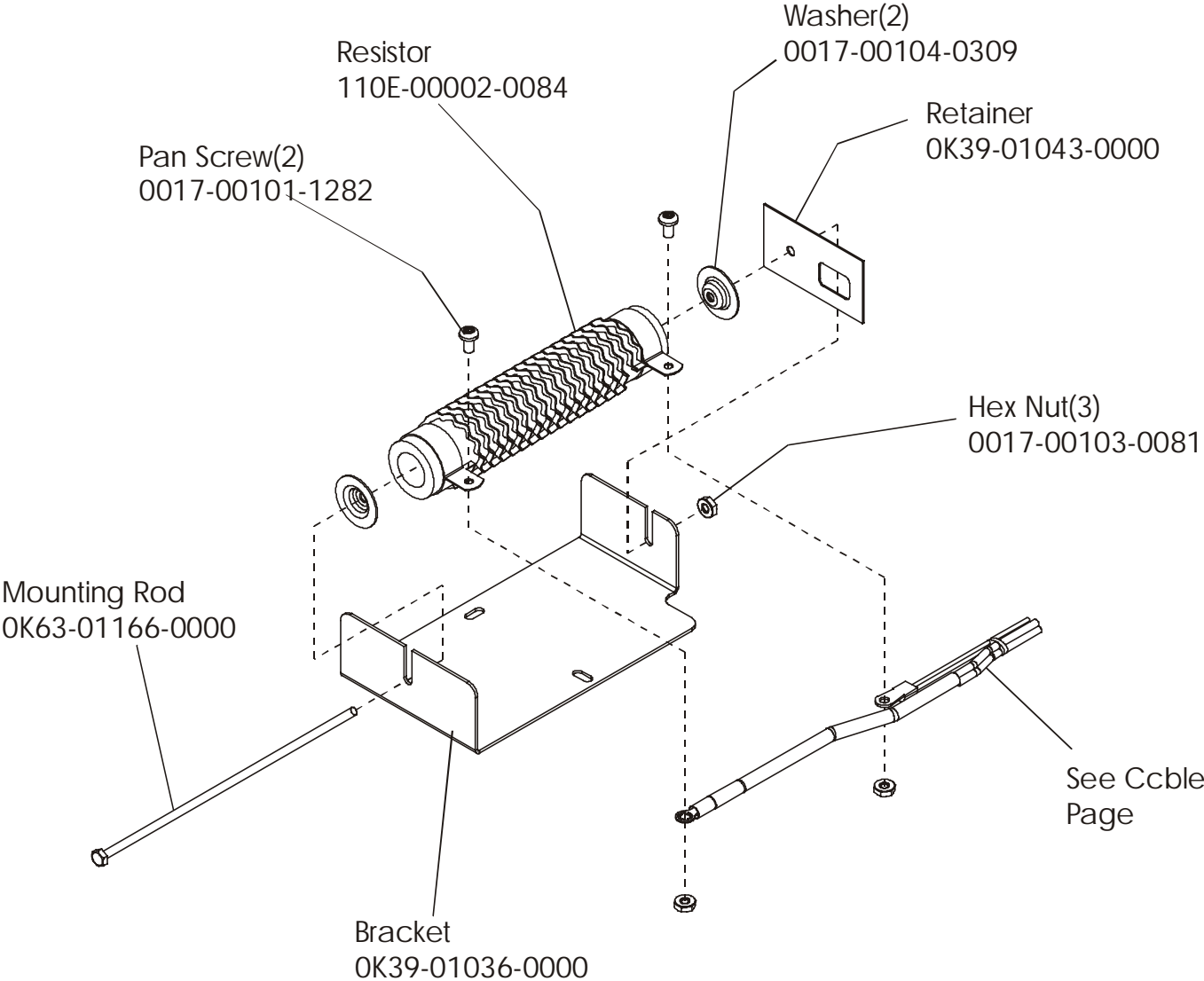
**LifeCycle Recumbent Bike - Model LC R9-0000-02 S/N CEI100001**

**Belts and 6V Battery**



**Resistor Assembly**

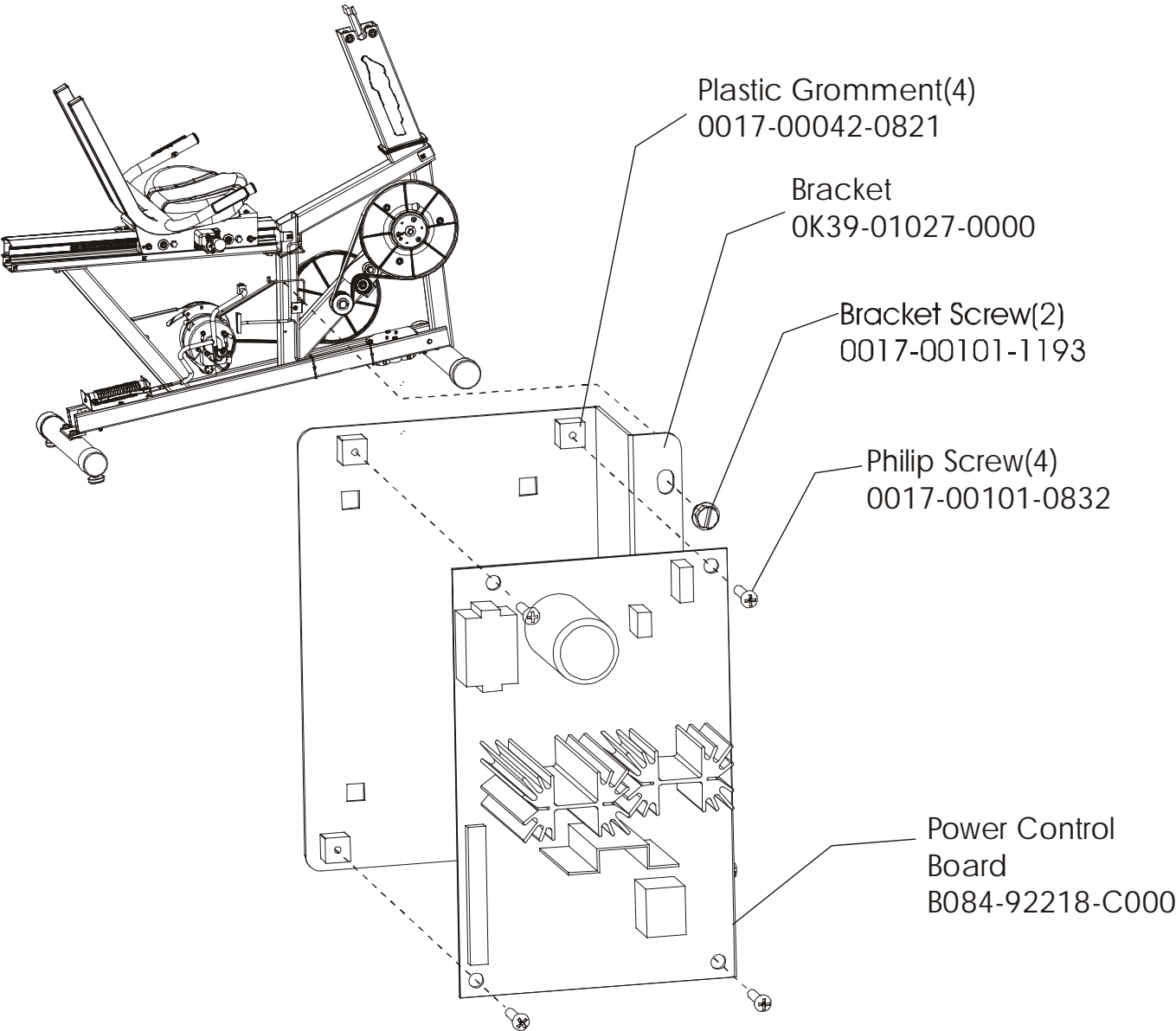
---



**LifeCycle Recumbent Bike - Model LC R9-0000-02 S/N CEI100001**

**Power Control Board - AK39-00022-0001**

---

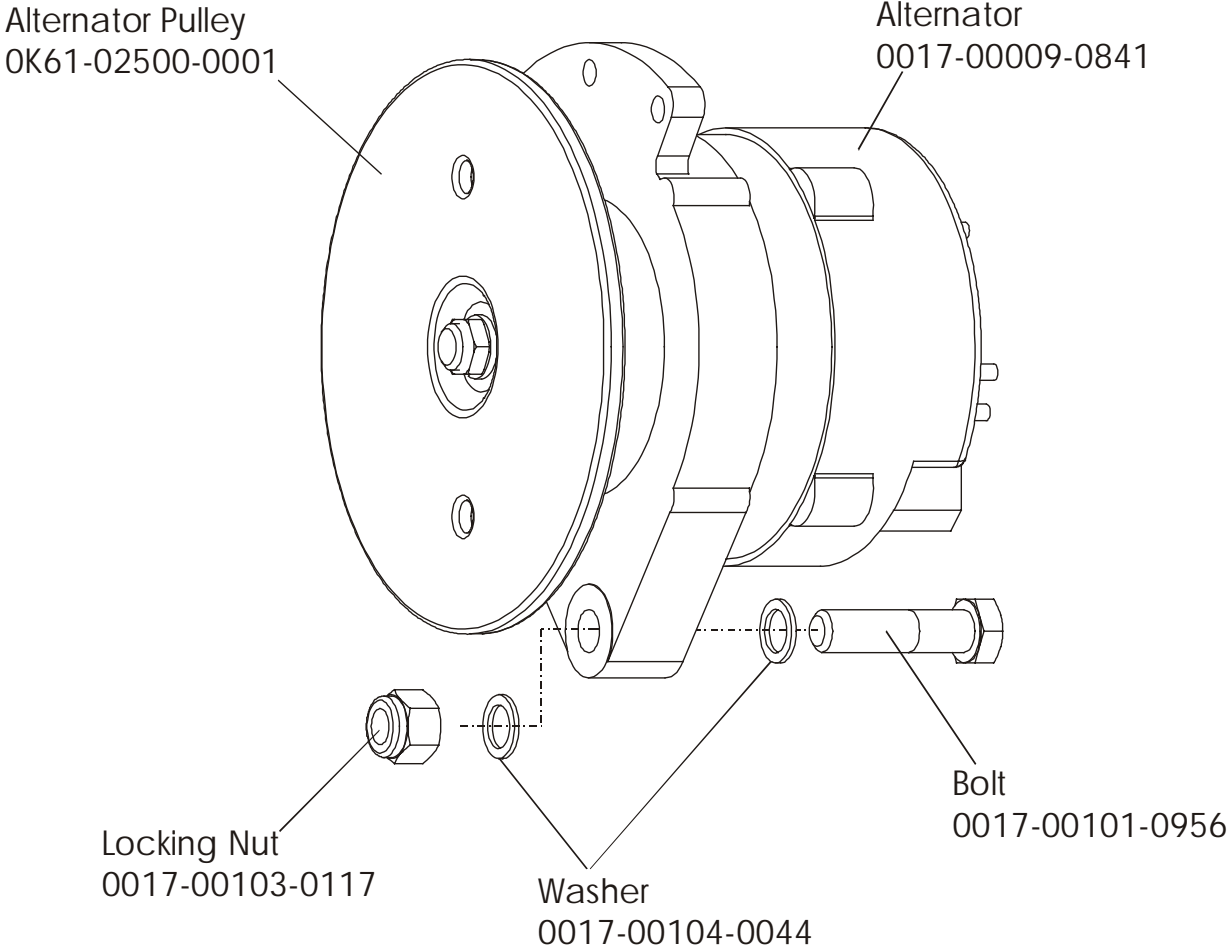




**LifeCycle Recumbent Bike - Model LC R9-0000-02 S/N CEI100001**

**Alternator w/Pulley - AK63-00093-0000**

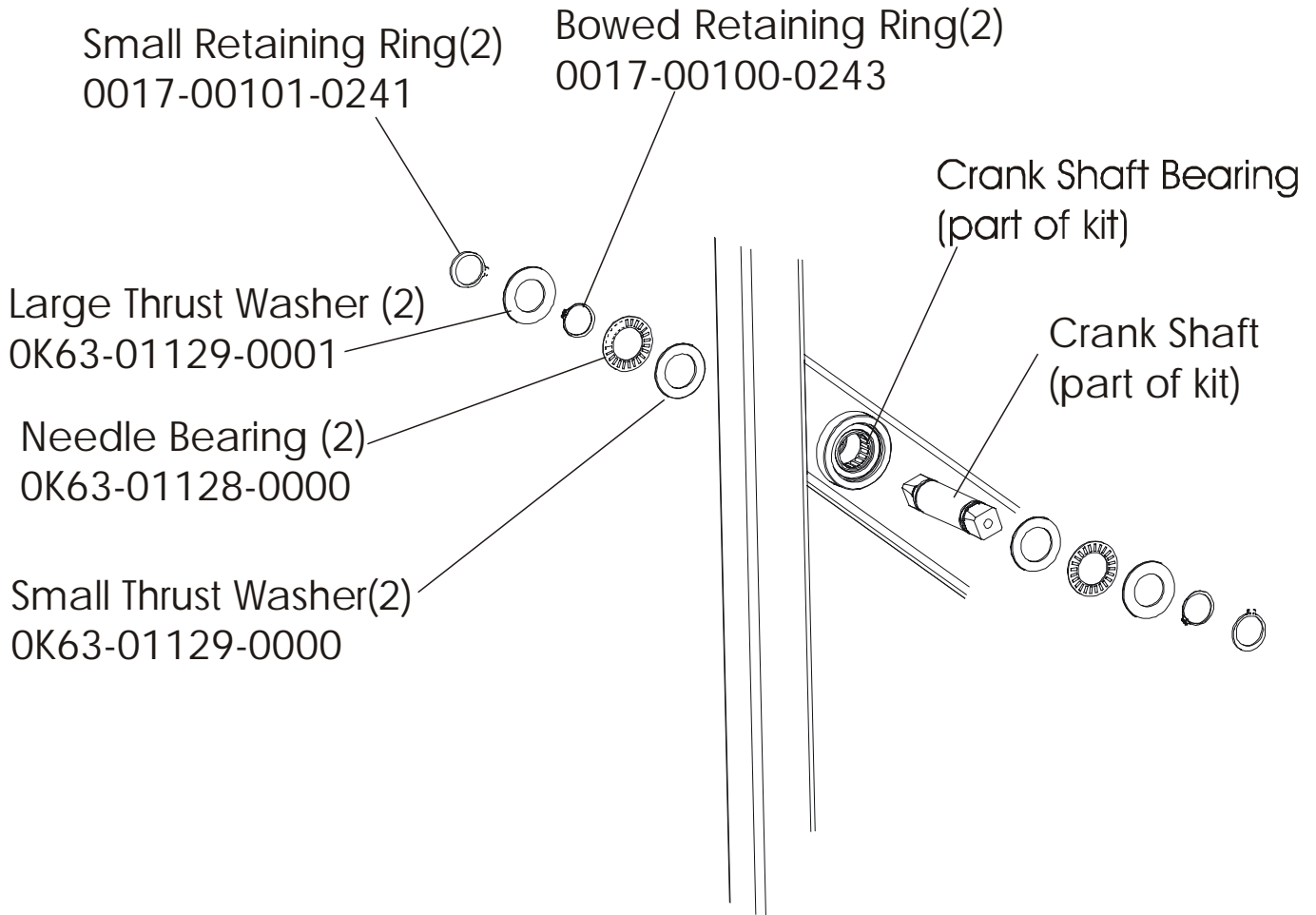
---



**LifeCycle Recumbent Bike - Model LC R9-0000-02 S/N CEI100001**

**Crank Shaft and Bearing Assembly – GK63-00002-0006 Kit**

---

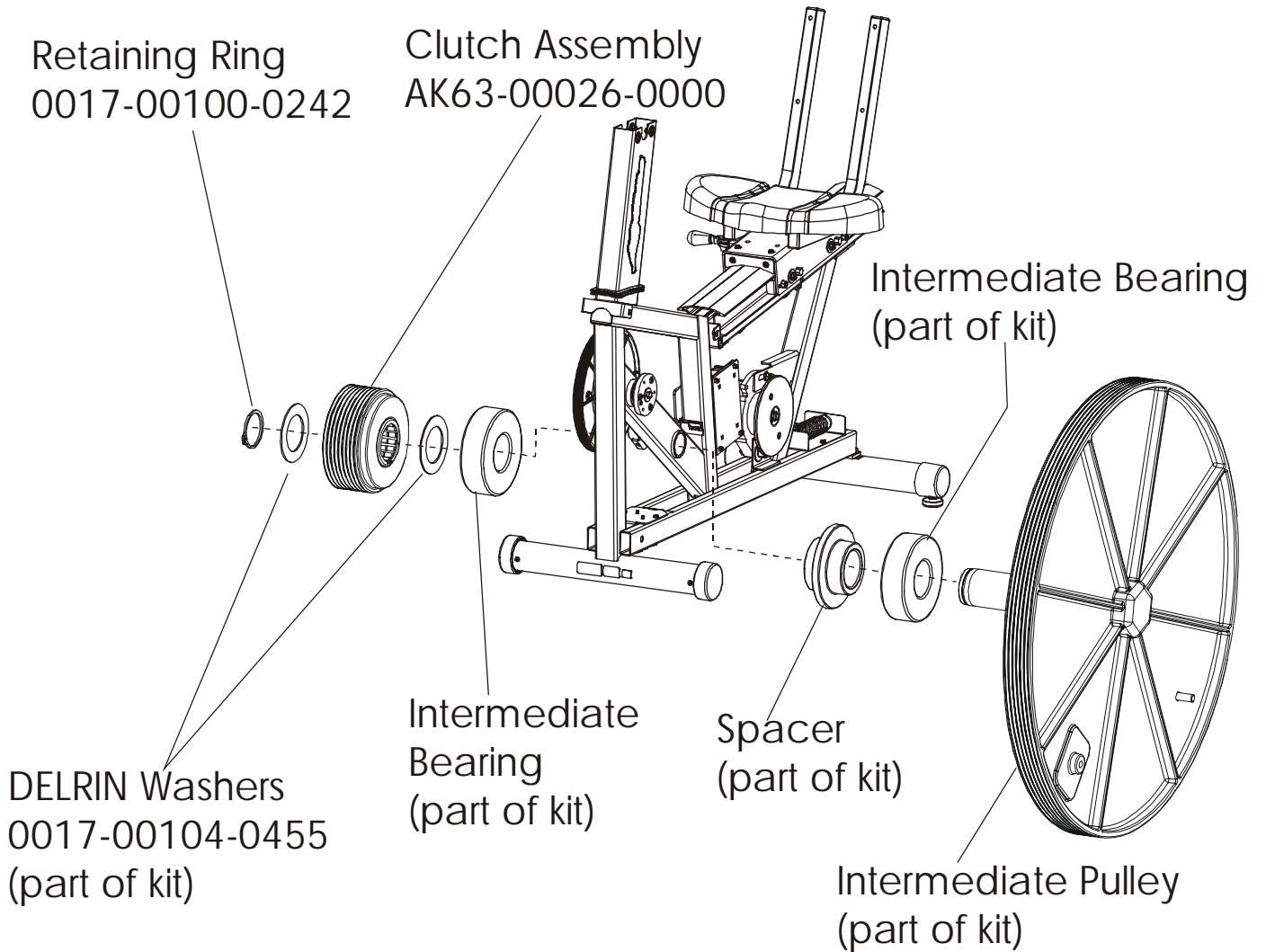


Note: All parts on this page are included in Kit #GK63-00002-0006

**LifeCycle Recumbent Bike - Model LC R9-0000-02 S/N CEI100001**

**Intermediate Shaft and Bearing Assembly – GK63-00002-0007 Kit**

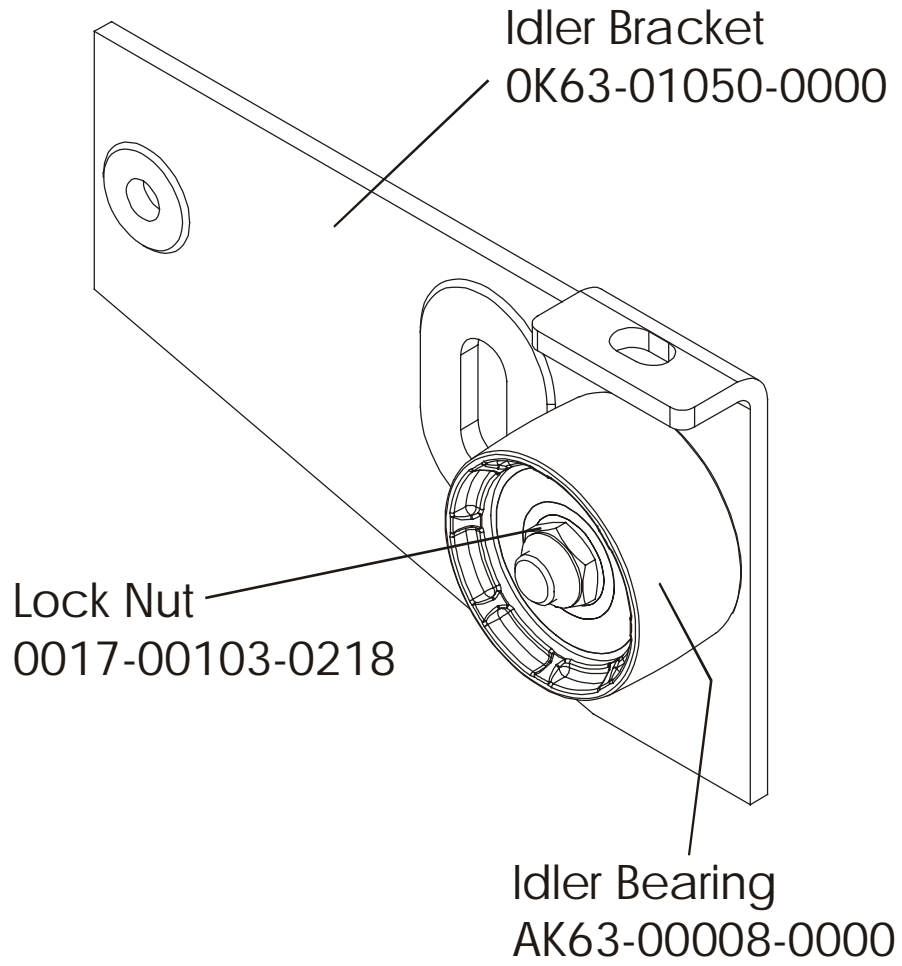
---



**LifeCycle Recumbent Bike - Model LC R9-0000-02 S/N CEI100001**

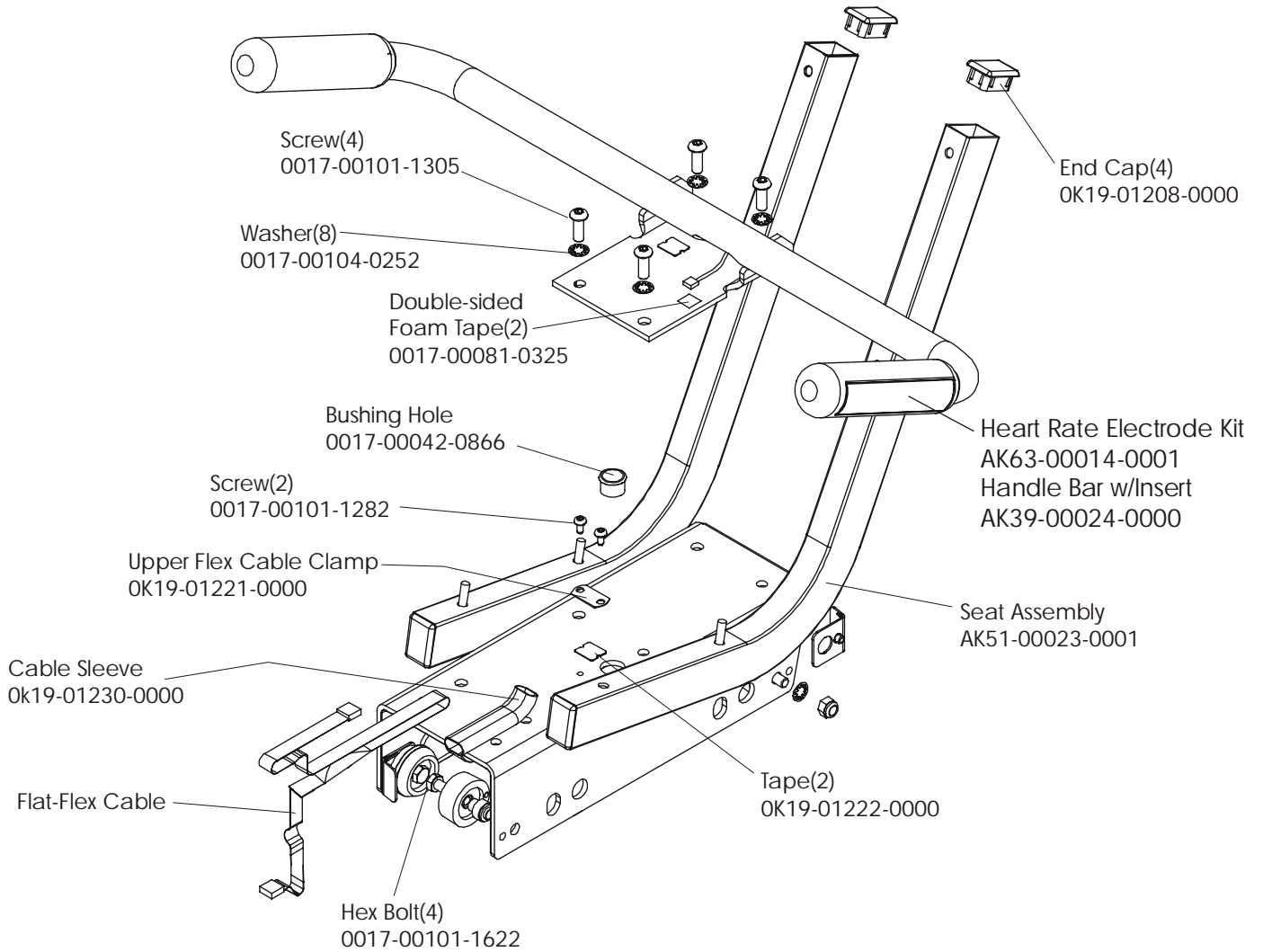
**Idler Bracket Assembly – AK63-00021-0000**

---



# LifeCycle Recumbent Bike - Model LC R9-0000-02 S/N CEI100001

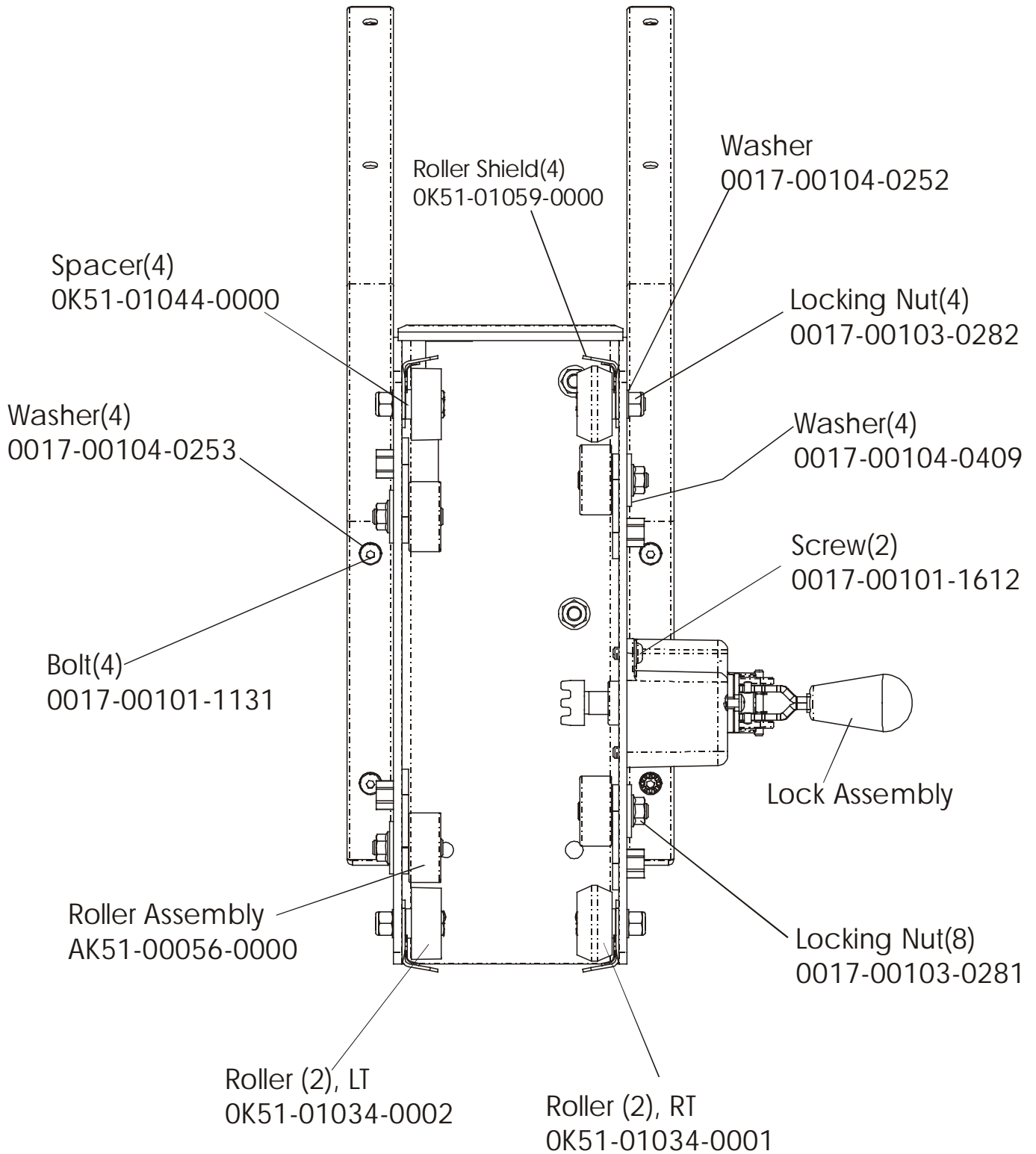
## Seat Assembly



**LifeCycle Recumbent Bike - Model LC R9-0000-02 S/N CEI100001**

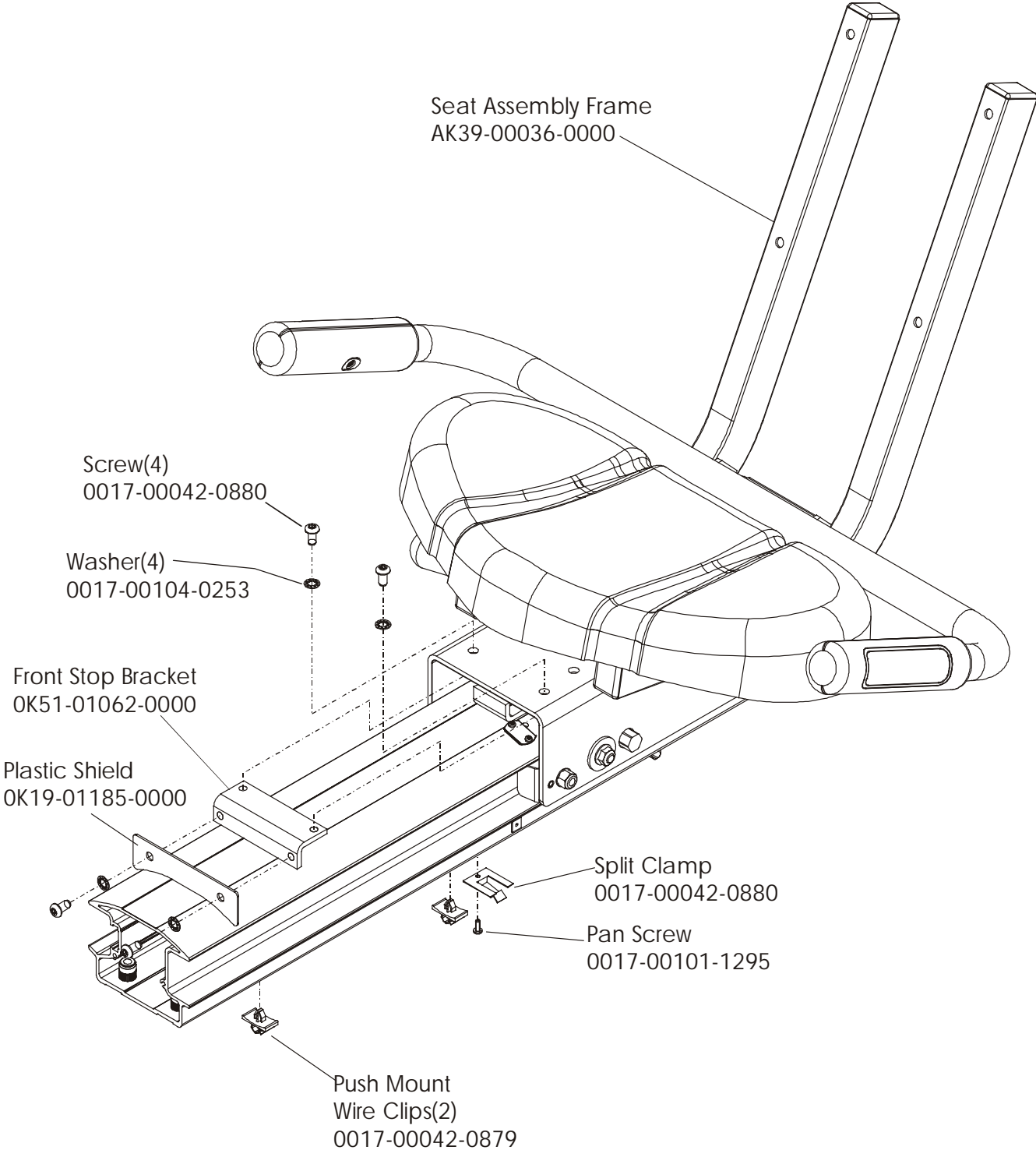
**Seat Assembly - Bottom**

---



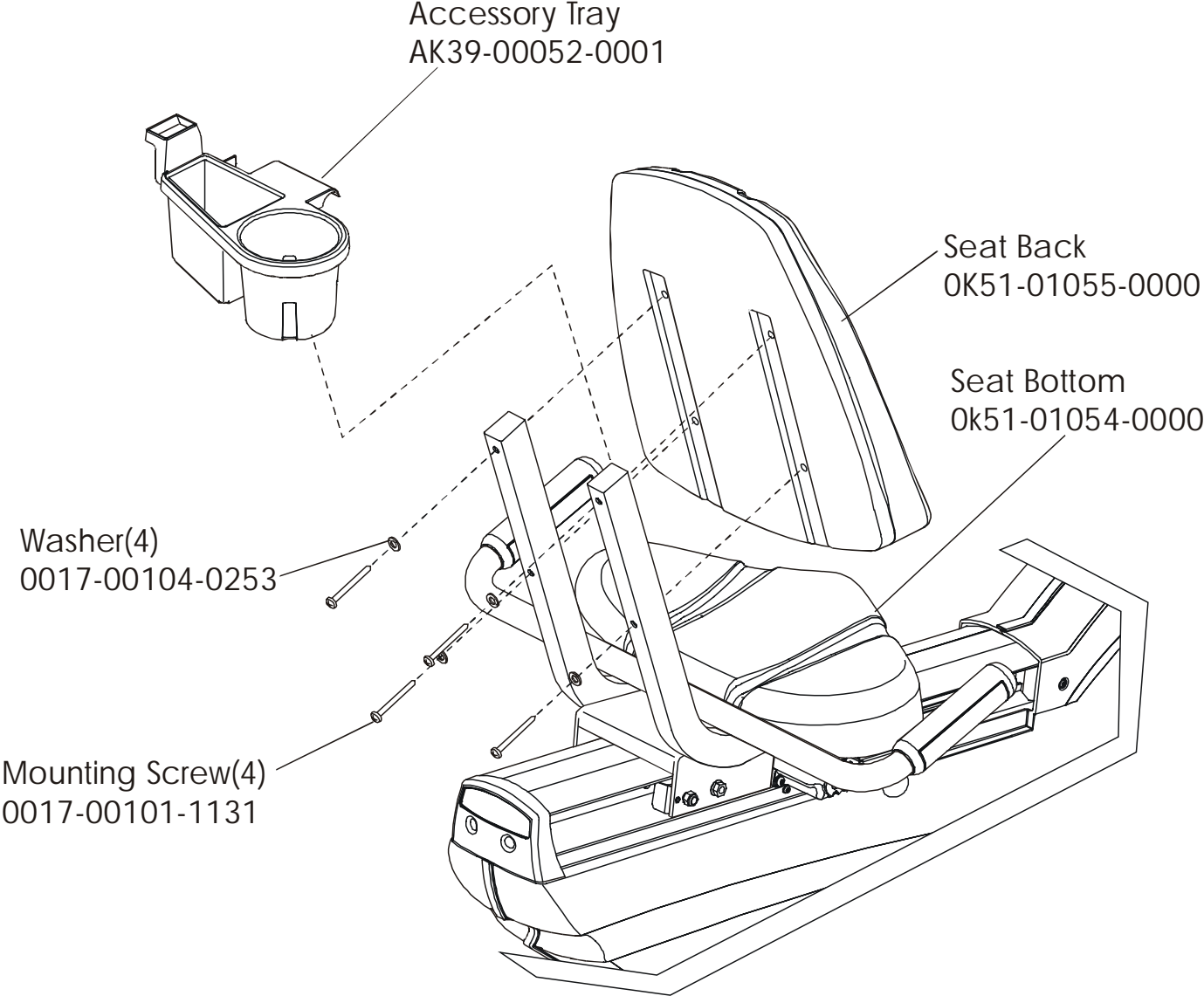
# LifeCycle Recumbent Bike - Model LC R9-0000-02 S/N CEI100001

## Seat Frame Assembly



**Seat Pads and Accessory Tray**

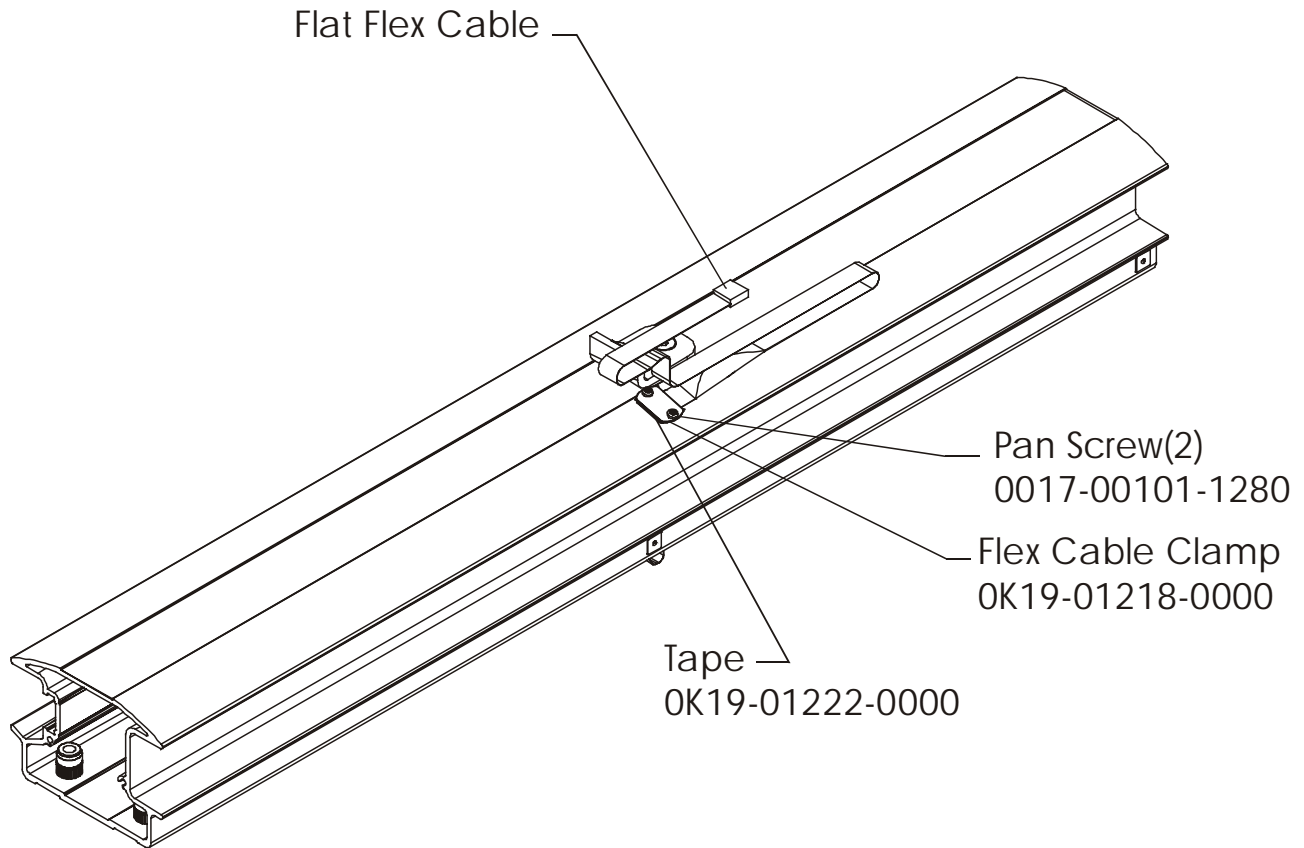
---





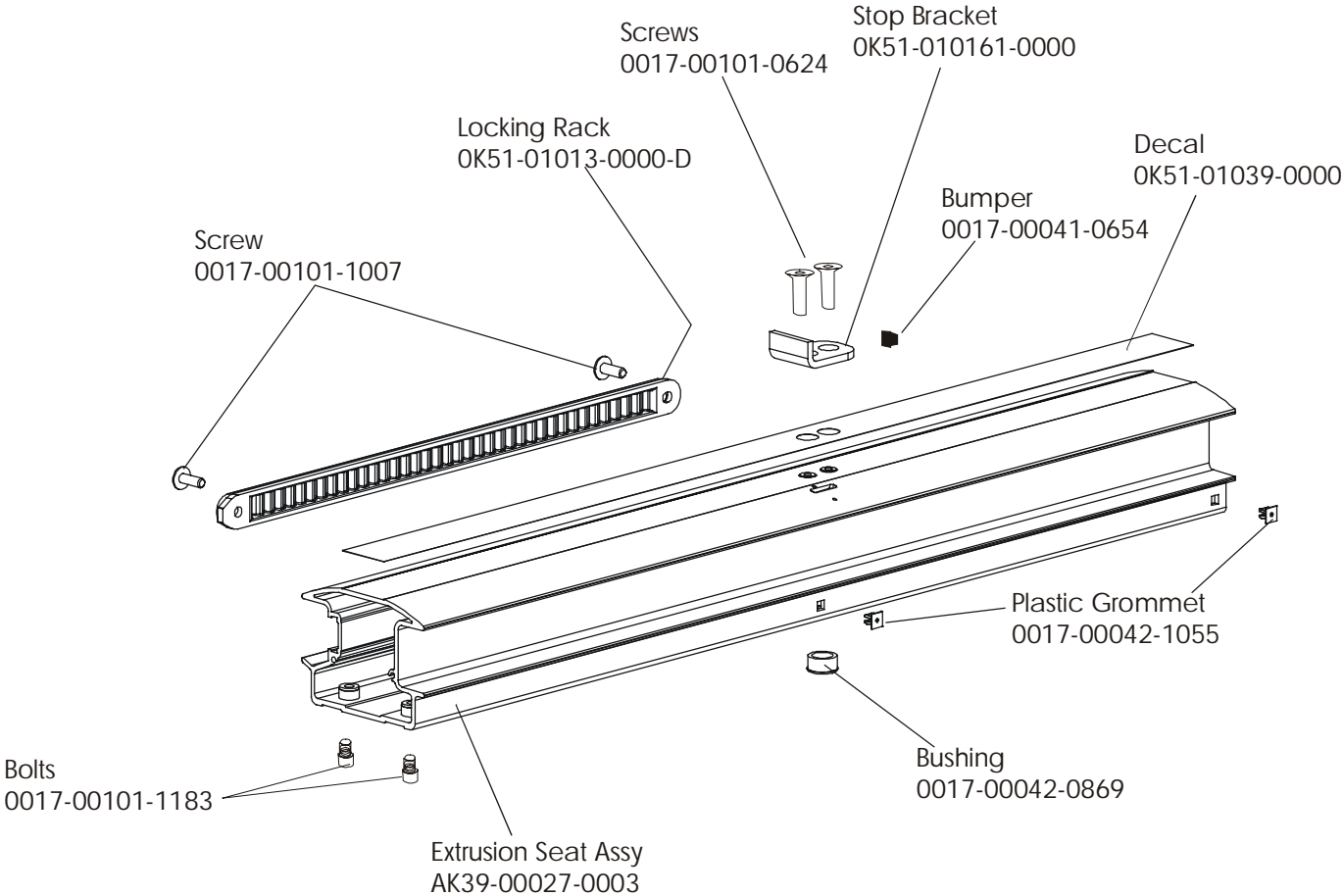
**Flat Cable Assembly**

---



# LifeCycle Recumbent Bike - Model LC R9-0000-02 S/N CEI100001

## Extrusion Assembly



**LifeCycle Recumbent Bike - Model LC R9-0000-02 S/N CEI100001**

**Lock Assembly AK51-00053-00000**

---

